

ACCUHUNTER WITH AV HUNTER SCOPE

THE ACCUHUNTER SLIDER SIGHT!

We have borrowed technology from our Olympic Gold medal-winning tournament sights and toughness from our multi-time Best Buy-winning ArmorTech sights to make the most accurate slider sight ever built. The AccuHunter is the Best Of Both Worlds! This superior hunting sight features a firepin with exterior fiber wraps around the AV-Hunter Scope, designed for light to reach the fibers from all angles. Especially superior in a ground blind where light reaches the fibers only through a window in the front.

STEP ONE: MOUNTING THE SLIDER SIGHT ON YOUR BOW

Use the included #10-24" x 3/4" Flat Head Socket Cap Screws to install the Bow Mount Bracket to your bow's riser. If you experience that you want to shoot farther and you have run out of elevation travel, then you may choose to move the sight closer to the riser for greater range.

FOR LEFT-HANDED SHOOTERS

Figure 1- Flip over the 2nd and 3rd Axis Block Combination by removing (A) 2 each #6-32" x 3/8" long Socket Head Cap Screws (SHCS) using a 7/64" hex wrench and re-install screws. *Figure 2-* Loosen the scope tube (B) #6-32" x 3/8" long SHCS screw, remove the Scope, *Figure 9-* remove the scope tube from the scope by removing 2 each #6-32" x 5/16" SHCS and unwrap the fiber, *Figure 3-* remove FirePin from the scope by removing (D) #4-40" x 1/4" SHCS and re-install FirePin on the bottom of the scope, re-wrap fiber around the outside of the scope, *Figure 9-* Run fiber up scope tube and re-install scope tube onto scope and re-tighten, Re-install scope onto 3rd Axis block and re-tighten (and insert from the opposite direction so that the scope faces the correct direction for a left-handed bow; re-tighten. *Figure 3-* Then, remove the level vial bracket (C) #4-40" x 1/8" long BHCS using a 1/16" hex wrench and flip the Level Bracket to the bottom of the scope.

STEP TWO: LEVELING FIRST AXIS

This adjustment will insure your sight is accurate in the left and right direction from 20 yards to 120 yards Without the Need to Use Shims between your sight and bow riser!

Figure 2- Loosen two (E) #8-32" x 1/2" long SHCS with a 9/64" hex wrench. *Figure 4-* Square the Elevation Bar/Head to the bowstring to ensure dead center accuracy right to left or align the Elevation Bar/Head to your preferred canted hand position angle using a (F) Leveling Tool (not included). (Note- Adjustments are made easier by loosening the bottom and slightly loosening the top First Axis Socket Head Cap Screws and twisting the Elevation Bar/Head until it is level with the bowstring or your preferred canted angle.) When level, re-tighten the screws and re-check to ensure the Elevation Bar/Head is still level.

STEP THREE: LEVELING SECOND AXIS

Figure 1- Loosen the (A) 2 each #6-32" x 3/8" long SHCS using a 7/64" hex wrench slightly on the 2nd axis block. *Figure 5-* Square the Scope to the Elevation Bar/Head by using a (G) Leveling Tool (not included). Twist the Scope Housing up and down until the (G) Scope Bubble is centered. (Note- Insure the Scope Level and Leveling Tool bubbles are centered at the same time.) When level, re-tighten the screws and re-check to ensure the second axis of the Scope is still level to the Sight.

STEP FOUR: LEVELING THIRD AXIS

Ensure dead center accuracy when shooting up and down hills by leveling the third axis!

Figure 6- Loosen the (H) #6-32" x 3/8" long SHCS screw using 7/64" hex wrench, and while using a Leveling Tool (not included), *Figure 7-* push the Scope Housing in or out until the Scope Bubble is centered when the Bowstring is 90 degrees from the horizon (vertical/static), tilted forward 45 degrees, and tilted backwards 45 degrees. Re-tighten and insure 1st, 2nd, and 3rd axis levels are maintained.

STEP FIVE: WINDAGE ADJUSTMENTS

At a close distance, check your windage to insure that your arrow is hitting close to center. *Figure 1-* Release the (I) Green Windage Lock Pin by pushing it away from the Windage Knob. Insure that the (J) Windage Block is centered in the middle of travel by turning the Windage Knob clockwise or counter-clockwise. *Figure 2-* Slide your scope tube in or out by loosening (B) #6-32" x 3/8" long SHCS to make large windage gang adjustments. Insure the scope is rotated to be aligned with your eye and re-tighten. Make fine click adjustments (.00156" per click) using the Windage Knob. *Figure 1-* Re-engage the (I) Green Windage Lock Pin by pushing in toward the Windage Knob to insure windage is locked. (Note: For Right-Handed Shooters, turn Windage Knob clockwise to move arrow left on target, or counter-clockwise to move arrow right on target. At 20 yds, each click is approximately equivalent to 1/32" of movement on the target.)

WARNING: Do not adjust windage to the point that the (J) Windage Block reaches the end of its travel. This can cause the Windage Knob to back off of the threaded guide rod.

STEP SIX: ELEVATION GANG ADJUSTMENT

Determine the maximum yardage that you want to shoot, keeping in mind, faster speed bows use less elevation travel, while slower speed bows use more elevation travel. *Figure 2-* Turn the (K) Rapid Elevation Knob until approximately 1/2" of the Delrin Elevation Rail is protruding above the top of the Elevation Bar/Head. It is best when your 20 yard mark is set to have this 1/2" measurement to insure that you have a full range of motion and to reach maximum yardage distances.

Figure 2- To make a gang adjustment and maintain the 1/2" measurement, loosen (L) two #4-40" x 3/16" long set screws using a 1/16" hex wrench in the Elevation Carriage and slide the Elevation Carriage up or down to align screws with machined scallops in the Delrin Elevation Rail; re-tighten. You are now ready to fine-tune your 20 yard mark and begin the process of selecting the most accurate sight scale tape for your bow set-up.

STEP SEVEN: FINDING THE MOST ACCURATE SIGHT TAPE SCALE

With slider sights of the past, you were required to find two fixed yardages of 20 yards and 60 yards, while others also required you to sight in 30 yards and 60 yards. For many shooters, it is impossible to find a range to shoot 60 yards or finding an accurate 60 yard pin location takes a long time. For many other average shooters, a 60 yard shot will result in a group the size of a pie plate, leading many to question the accuracy of the sight tape. The Accu-Hunter Sight changes that forever!

Figure 8- Your sight comes with a white sight scale tape installed. Sight in your 20 yard mark and insure the (M) Green Sight Scale Pointer is near the top of the white tape (by loosening, locating, and re-tightening the #4-40" x 3/16" long SHCS using a 3/32" hex wrench). Use a pencil or pen to mark the white tape at your 20 yard position. Then, step back to whatever

yardage where you feel comfortable (30, 40, 50, 60, etc) and mark the Green Sight Scale Pointer position on the white tape. When you are confident that your two marks are accurate, compare the marks on your white tape to the pre-printed sight scales included in your package and choose the closest scale to your sighted distances. Turn your Rapid Elevation Knob back to the 20 yard mark on the white tape. *Figure 2*- Tighten the **(N)** Green Elevation Lock Lever to insure no movement until your accurate Sight Scale Tape is installed. Remove the white tape. Cut out the correct scale, peel backing, and place the accurate Sight Scale Tape under the Green Pointer where the 20 yard mark is aligned perfectly with pointer. Now, go back and check your sight at each distance of 20 yards, 30, 40, 50, etc. on the Sight Scale Tape to insure accuracy before proceeding to the next step.

STEP EIGHT: SETTING DEAD STOP LOCATION

Figure 8- The AccuHunter is equipped with a Dead Stop (located below the Green pointer) for you to set your top 20 yard mark, to adjust move your Green Pointer to your 20 yard mark and loosen **(O)** #4-40" x 3/16" long SHCS using a 3/32" hex wrench, slide the **(P)** Dead Stop until it makes contact with the **(Q)** #4-40" x 1/8" SHCS and re-tighten. Do Not Overtighten. There are additional holes provided in the rail if another location is needed for the stop screw.

STEP NINE: ELEVATION TENSION & GREEN ELEVATION LOCK

Adjust YOUR Sight Elevation Tension YOUR Way!!!

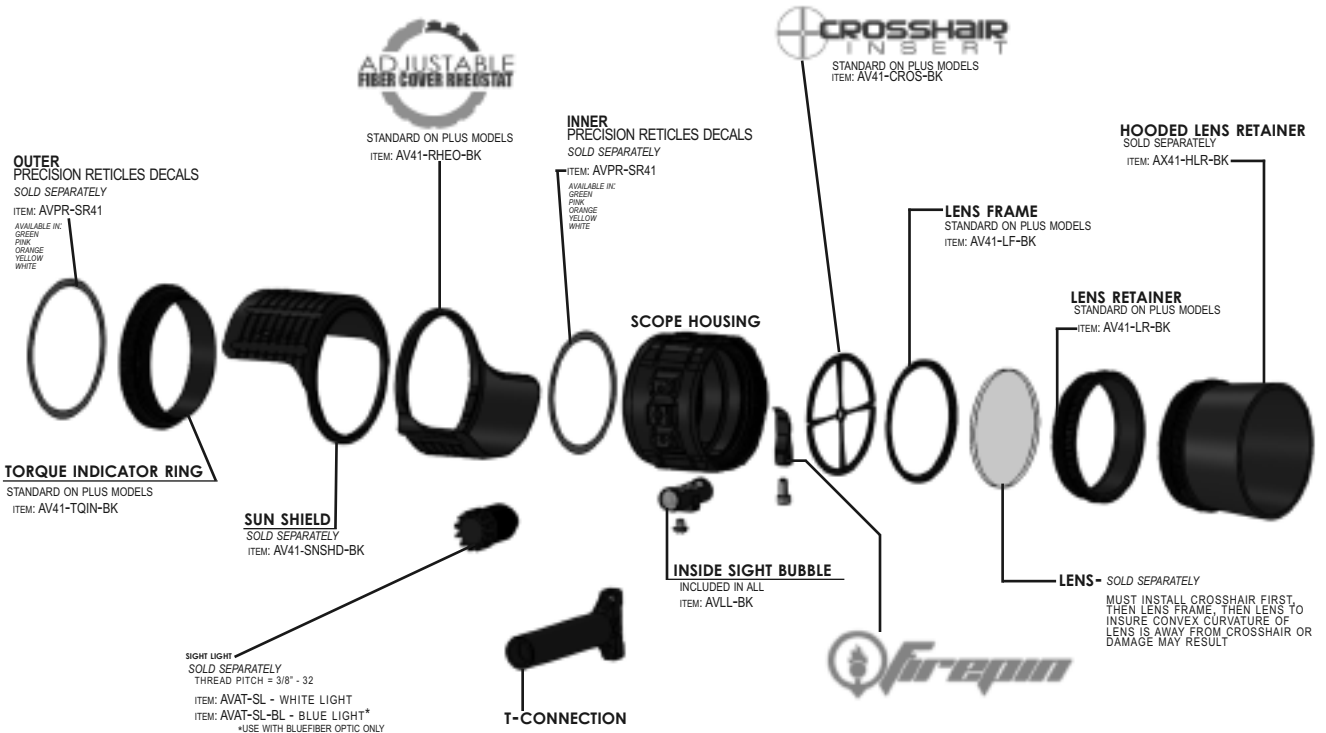
Figure 2- Adjust the amount of tension on your **(K)** Rapid Elevation Knob with a simple screw adjustment. You choose the amount of tension you prefer! *Figure 10*: Use a 1/6" hex wrench to adjust the **(R)** #6-32 x 3/8" set screws at the front of the bow mount, for more tension screw in and for less tension screw out. Be sure to move both screws the same amount so that the imprint on the rail will remain even. The AccuHunter is also equipped with an Green Elevation Lock. Rotating the Green Lock Lever to the furthest clockwise position provides enough tension to give you peace of mind that your sight will not move.

STEP TEN: MOUNTING QUIVER (QUIVER OPTIONAL)

Figure 10- Two **(S)** #10-24" tapped holes are standard in fixed-mount dampened and non-dampened extension bars on the AccuHunter Slider Sight.

Figure 11- For Pro Series dovetail extension bar sights, a **(T)** Quiver Adapter is included in the package. To mount the Quiver Adapter, use two each **(U)** 1/4-20" x 3/4" SHCS, using the two open holes in the Bow Mount Bracket.

OPTIONAL ACCESSORIES (SOLD SEPARATELY)



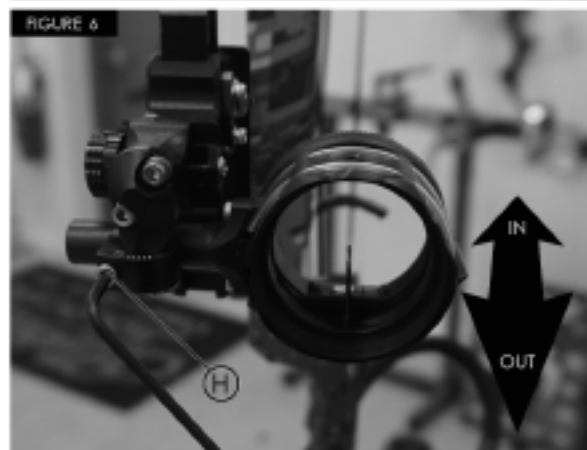
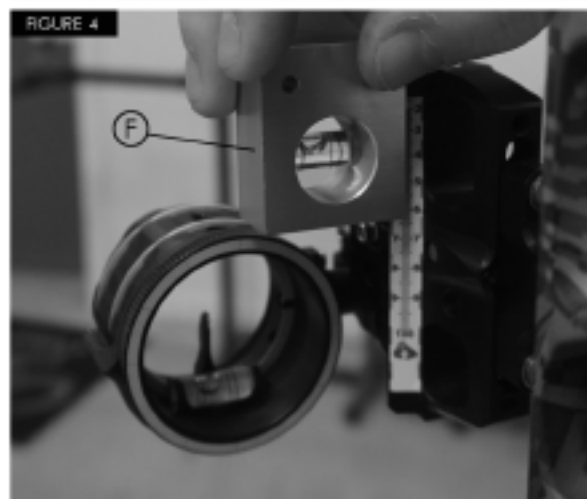
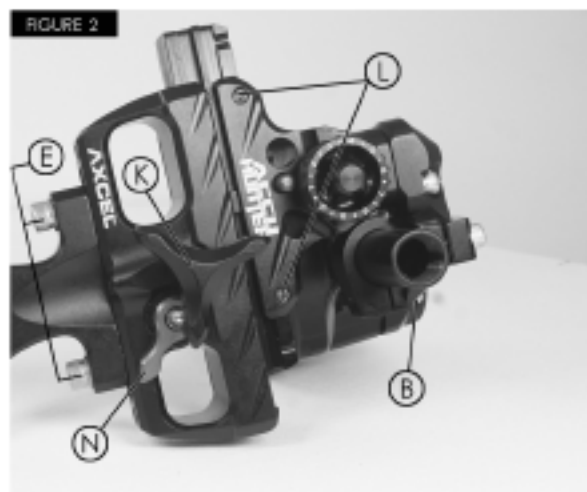
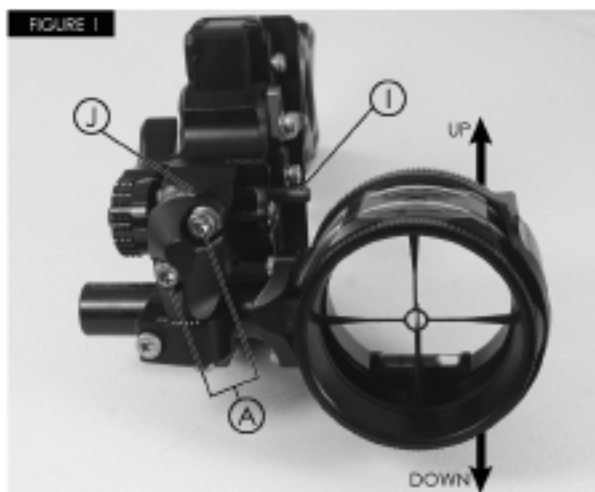


FIGURE 8

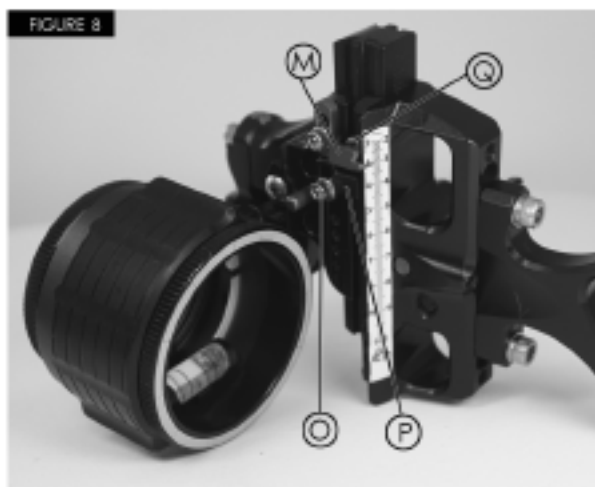


FIGURE 9



FIGURE 10



FIGURE 11

